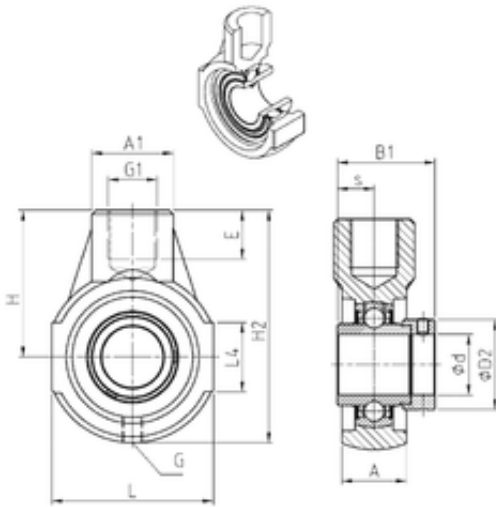




NTN Bearing Manufacturing

SNR EXEHE207 bearing units



EXEHE207 Bearing 2D drawings and 3D CAD models

Bearing No. EXEHE207

Bore Diameter	35 mm
d	35 mm
L4	40 mm
s	18,8 mm
A	32 mm
A1	40 mm
B1	51,1 mm
D2	55,6 mm
E	24 mm
G1	M24 mm
H	76 mm
H2	122 mm
L	90 mm
Thread (G)	R1/8"
Weight	1,7 Kg
Basic dynamic load rating (C)	25,7 kN
A2	40 mm
B	37.6 mm
A5	18.8 mm
d1	51.1 mm
G	R1/8"
L1	76 mm
L3	40 mm
s1	36.3 mm
S	18.8 mm
SW	4 mm



NTN Bearing Manufacturing

C	25.7 kN
C0	15.2 kN
T min.	-20 ° C
T max.	100 ° C
Recommended tightening torque for set screw	11.5 Nm
Designation of housing	EHE207-
Designation of bearing	EX207G2