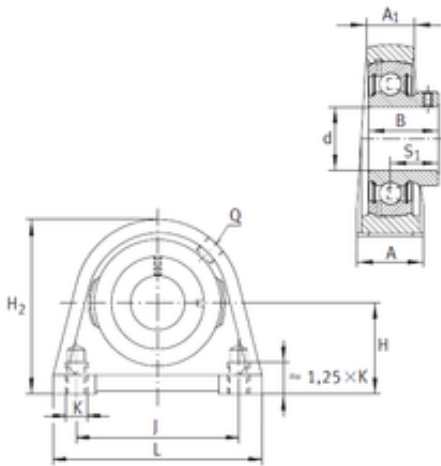




NTN Bearing Manufacturing

INA PSHEY17 bearing units

Bearing No. PSHEY17



PSHEY17 Bearing 2D drawings and 3D CAD models

Bore Diameter	17 mm
d	17 mm
Thread (Q)	M6
Thread (K)	M8
A	30 mm
A1	18 mm
B	22 mm
H	30,2 mm
H2	57 mm
J	47 mm
L	63 mm
S	16 mm
Weight	0,4 Kg
Basic dynamic load rating (C)	9,8 kN
Category	Pillow Block Bearings
Inventory	0.0
Manufacturer Name	SCHAEFFLER GROUP
Minimum Buy Quantity	N/A
Weight / Kilogram	0.4
Product Group	M06110
Number of Mounting Holes	2
Mounting Method	Set Screw
Housing Style	2 Bolt Tap Base Pillow Block
Rolling Element	Ball Bearing
Housing Material	Cast Iron
Expansion / Non-expansion	Non-expansion



NTN Bearing Manufacturing

Mounting Bolts	8 Millimeter
Relubricatable	Yes
Insert Part Number	GAY17NPPB
Seals	Double Lip Contact
Housing Configuration	1 Piece Solid
Inch - Metric	Metric
Other Features	Single Row With Grub Screw
Long Description	2 Bolt Tap Base Pillow Block; 17MM Bore; 30.2MM Base to Center Height; Set Screw Mount; Ball Bearing; Relubricatable; Cast Iron; Double Lip Contact; Non-expansion
Category	Pillow Block
UNSPSC	31171511
Harmonized Tariff Code	8483.20.40.40
Noun	Bearing
Keyword String	Pillow Block
Manufacturer URL	http://www.ina.com
Manufacturer Item Number	PSHEY17
Weight / LBS	0.882
Actual Bolt Center to Center	1.9 Inch 47Millimeter
Bolt Spacing Maximum	0 Inch 0Millimeter
Bore	0.669 Inch 17 Millimeter
Nominal Bolt Center to Center	1.9 Inch 47 Millimeter
Length Thru Bore	0.866 Inch 22 Millimeter
Base to Center Height	1.189 Inch 30.2 Millimeter
Bolt Spacing Minimum	0 Inch 0Millimeter