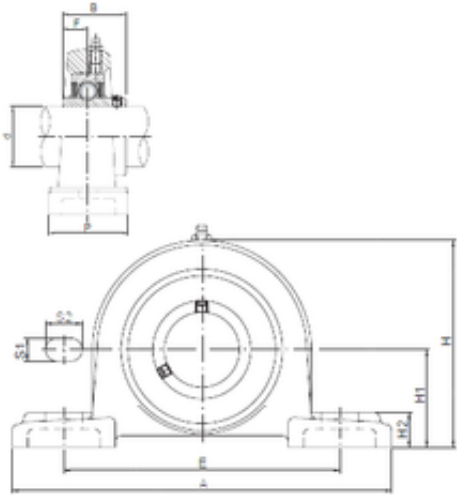




NTN Bearing Manufacturing



UCP319 Bearing 2D drawings and 3D CAD models

ISO UCP319 bearing units

Bearing No. UCP319

Bore Diameter	95 mm
d	95 mm
S1	36 mm
P	120 mm
A	470 mm
B	103 mm
E	360 mm
F	41 mm
H	250 mm
H1	125 mm
H2	45 mm
S2	50 mm
Bolt (G)	M30