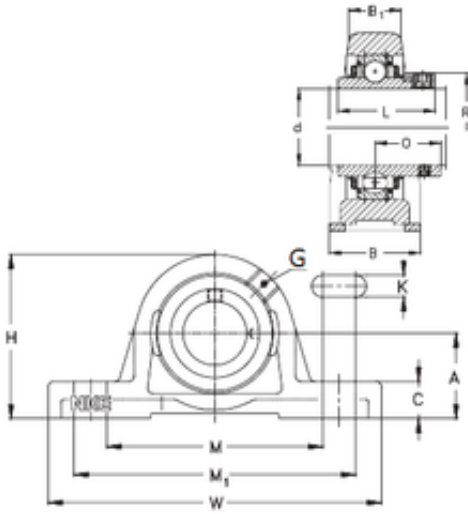




NTN Bearing Manufacturing



NKE PASEY60-N bearing units

Bearing No. PASEY60-N

Bore Diameter	60 mm
Width	60 mm
d	60 mm
O	34 mm
A	69,9 mm
B	60 mm
B1	42 mm
C	25 mm
H	140 mm
K	18 mm
L	47 mm
M	180 mm
M1	200 mm
W	240 mm
Thread (G)	R1/8 "

PASEY60-N Bearing 2D drawings and 3D CAD models