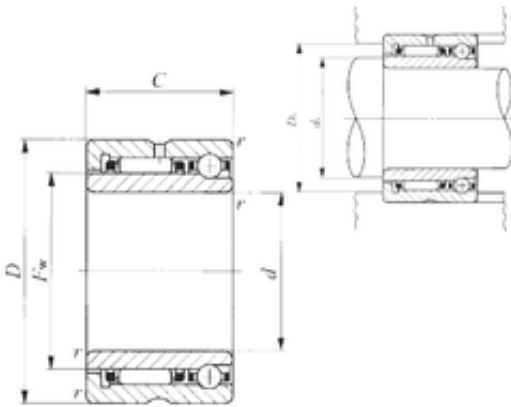




NTN Bearing Manufacturing

17 mm x 30 mm x 18 mm IKO NATA 5903 complex bearings



Bearing No. NATA 5903

Size	17x30x18 mm
Bore Diameter	17 mm
Outer Diameter	30 mm
Width	18 mm
d	17 mm
Fw	22 mm
D	30 mm
B	18 mm
C	18 mm
r min.	0,3 mm
da min.	19 mm
Da max.	28 mm
Weight	0,0555 Kg
Dynamic load rating radial (C)	8,22 kN
Dynamic load rating axial (C)	2,05 kN
Static load rating radial (C0)	11,5 kN
Static load rating axial (C0)	3,34 kN

NATA 5903 Bearing 2D drawings and 3D CAD models