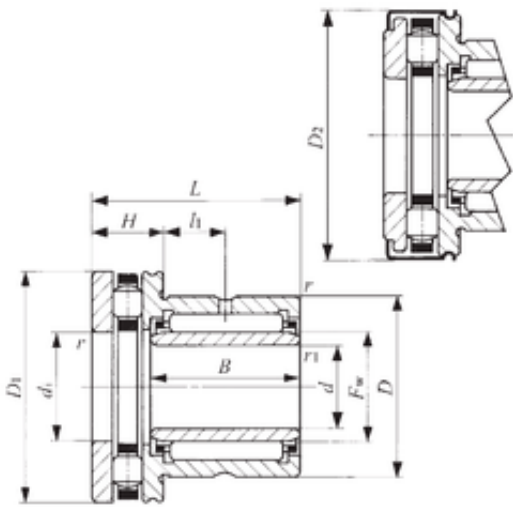




NTN Bearing Manufacturing

25 mm x 42 mm x 20,5 mm IKO NBXI 2530Z complex bearings

Bearing No. NBXI 2530Z



NBXI 2530Z Bearing 2D drawings and 3D CAD models

Bore Diameter	25 mm
Outer Diameter	42 mm
d	25 mm
Fw	30 mm
D	42 mm
D1	47 mm
D2	48 mm
B	20,5 mm
d1	30 mm
r min.	0,6 mm
r1 min.	0,3 mm
H	11 mm
L	30 mm
L1	9,5 mm
da min.	45 mm
db	29 mm
Weight	0,2 Kg
Dynamic load rating radial (C)	25,1 kN
Dynamic load rating axial (C)	27,4 kN
Static load rating radial (C0)	40,1 kN
Static load rating axial (C0)	81 kN
Category	Roller Bearings
Inventory	0.0
Manufacturer Name	IKO



NTN Bearing Manufacturing

Minimum Buy Quantity	N/A
Weight / Kilogram	0
Product Group	B04144