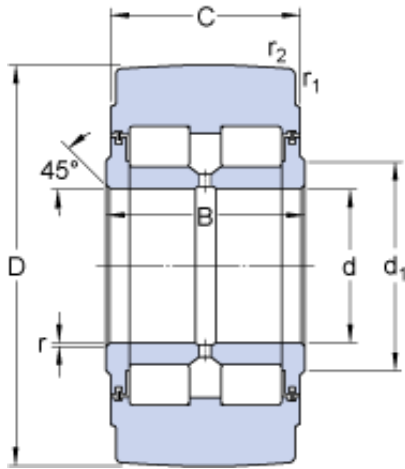




NTN Bearing Manufacturing



55 mm x 140 mm x 70 mm SKF NNTR 55x140x70.2ZL cylindrical roller bearings

Bearing No. NNTR 55x140x70.2ZL

NNTR 55x140x70.2ZL Bearing 2D drawings and 3D CAD models

Size	55x140x68 mm
Bore Diameter	55 mm
Outer Diameter	140 mm
Width	68 mm
D	140 mm
d	55 mm
C	68 mm
B	70 mm
d ₁	73 mm
r _{1,2} - min.	3 mm
r, r _{3,4} - min.	2 mm
Basic dynamic load rating - C	209 kN
Basic static load rating - C ₀	275 kN
Fatigue load limit - P _u	37.5 kN
Maximum static radial loads - F _r	224 kN
Maximum static radial loads - F _{0r}	320 kN
Limiting speed	700 r/min
d ₁	73 mm
r _{1,2} min.	3 mm
r, r _{3,4} min.	2 mm
Basic dynamic load rating C	209 kN
Basic static load rating C ₀	275 kN
Fatigue load limit P _u	37.5 kN



NTN Bearing Manufacturing

Maximum dynamic radial loads F_r max.	224 kN
Maximum static radial loads F_{0r} max.	320 kN
Mass support roller	6.4 kg