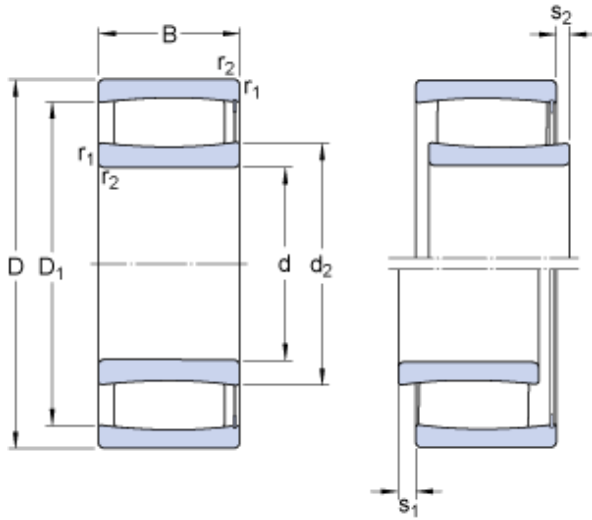




# NTN Bearing Manufacturing



65 mm x 120 mm x 31 mm SKF C 2213 V  
cylindrical roller bearings

Bearing No. C 2213 V

C 2213 V Bearing 2D drawings and 3D CAD models

Size	120x65x31 mm
Bore Diameter	120 mm
Outer Diameter	65 mm
Width	31 mm
d	65 mm
D	120 mm
B	31 mm
d <sub>2</sub>	79 mm
D <sub>1</sub>	106 mm
s <sub>1</sub>	9.6 mm
s <sub>2</sub>	5.3 mm
r <sub>1,2</sub> - min.	1.5 mm
d <sub>a</sub> - min.	74 mm
d <sub>a</sub> - max.	97 mm
D <sub>a</sub> - max.	111 mm
r <sub>a</sub> - max.	1.5 mm
Basic dynamic load rating - C	204 kN
Basic static load rating - C <sub>0</sub>	216 kN
Fatigue load limit - P <sub>u</sub>	25.5 kN
Limiting speed	2400 r/min
Factor - k <sub>1</sub>	0.097
Factor - k <sub>2</sub>	0.127
Category	Roller Bearings



## NTN Bearing Manufacturing

Inventory	0.0
Manufacturer Name	SKF
Minimum Buy Quantity	N/A
Weight / Kilogram	1.476
EAN	7316570982367
Product Group	B04144
$d_2$	79 mm
$D_1$	106 mm
$s_1$ max.	9.6 mm
$s_2$ max.	5.3 mm
$r_{1,2}$ min.	1.5 mm
$d_a$ min.	74 mm
$d_a$ max.	97 mm
$D_a$ max.	111 mm
$r_a$ max.	1.5 mm
Basic dynamic load rating C	204 kN
Basic static load rating $C_0$	216 kN
Fatigue load limit $P_u$	25.5 kN
Misalignment factor $k_1$	0.097
Operating clearance factor $k_2$	0.127
Mass bearing	1.5 kg