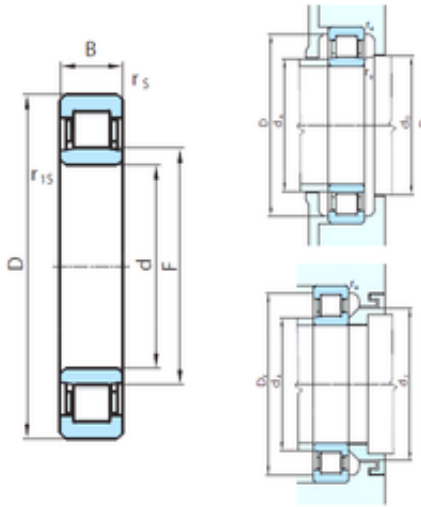




# NTN Bearing Manufacturing



704 mm x 864 mm x 60 mm PSL PSL 412-200 cylindrical roller bearings

Bearing No. PSL 412-200

Size	704x864x60 mm
Bore Diameter	704 mm
Outer Diameter	864 mm
Width	60 mm
d	704 mm
F	760 mm
D	864 mm
B	60 mm
C	60 mm
r min.	3 mm
r1 max.	3 mm
Weight	79,2 Kg
Basic dynamic load rating (C)	544 kN
Basic static load rating (C0)	1384 kN
(Grease) Lubrication Speed	410 r/min

PSL 412-200 Bearing 2D drawings and 3D CAD models