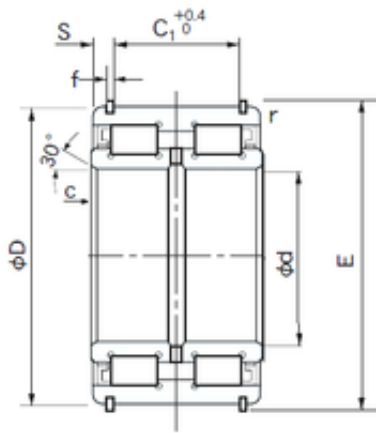




NTN Bearing Manufacturing

220 mm x 340 mm x 160 mm NACHI E5044NR cylindrical roller bearings



Bearing No. E5044NR

Size	220x340x160 mm
Bore Diameter	220 mm
Outer Diameter	340 mm
Width	160 mm
d	220 mm
D	340 mm
B	160 mm
C	159 mm
c	4 mm
f	6 mm
r min.	1.5 mm
C1	130 mm
E	356 mm
S	14.5 mm
Weight	52.0 Kg
Basic dynamic load rating (C)	1500 kN
Basic static load rating (C0)	3100 kN

E5044NR Bearing 2D drawings and 3D CAD models