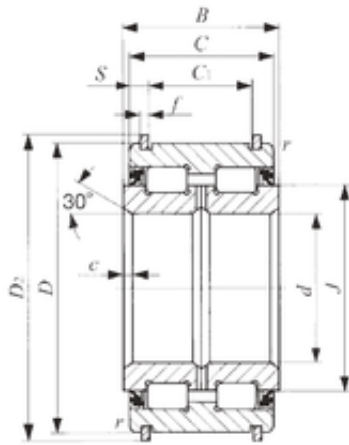




NTN Bearing Manufacturing



80 mm x 125 mm x 60 mm IKO NAS 5016UUNR cylindrical roller bearings

Bearing No. NAS 5016UUNR

Size	80x125x60 mm
Bore Diameter	80 mm
Outer Diameter	125 mm
Width	60 mm
d	80 mm
D	125 mm
B	60 mm
C	59 mm
c	2 mm
f	2,5 mm
r min.	0,6 mm
C1	48 mm
D2	129,5 mm
J	97 mm
S	5,5 mm
Weight	2,65 Kg
Basic dynamic load rating (C)	251 kN
Basic static load rating (C0)	428 kN

NAS 5016UUNR Bearing 2D drawings and 3D CAD models