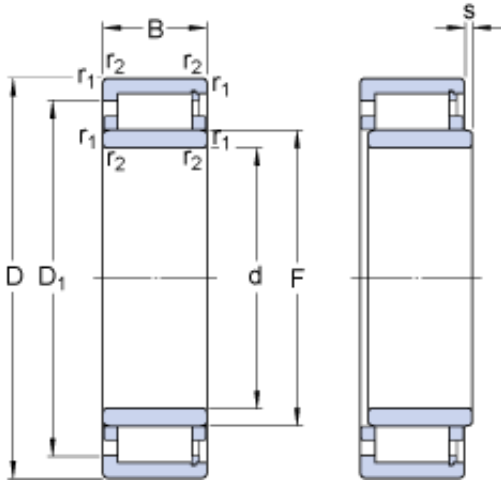




NTN Bearing Manufacturing



170 mm x 310 mm x 86 mm SKF NUH 2234 ECMH cylindrical roller bearings

Bearing No. NUH 2234 ECMH

NUH 2234 ECMH Bearing 2D drawings and 3D CAD models

Size	310x170x86 mm
Bore Diameter	310 mm
Outer Diameter	170 mm
Width	86 mm
d	170 mm
D	310 mm
B	86 mm
D ₁	268.8 mm
F	205 mm
s	2.4 mm
r _{1,2} - min.	4 mm
d _a - min.	187 mm
d _a - max.	201 mm
d _b - min.	208 mm
D _a - min.	275 mm
D _a - max.	292.4 mm
r _a - max.	3 mm
Basic dynamic load rating - C	1160 kN
Basic static load rating - C ₀	1530 kN
Fatigue load limit - P _u	156 kN
Reference speed	2200 r/min
Limiting speed	2800 r/min
Calculation factor - k _r	0.16
D ₁	268.8 mm



NTN Bearing Manufacturing

s max.	2.4 mm
$r_{1,2}$ min.	4 mm
d_a min.	187 mm
d_a max.	201 mm
d_b min.	208 mm
D_a min.	275 mm
D_a max.	292.4 mm
r_a max.	3 mm
Basic dynamic load rating C	1160 kN
Basic static load rating C_0	1530 kN
Fatigue load limit P_u	156 kN
Calculation factor k_r	0.16
Mass bearing	28.6 kg