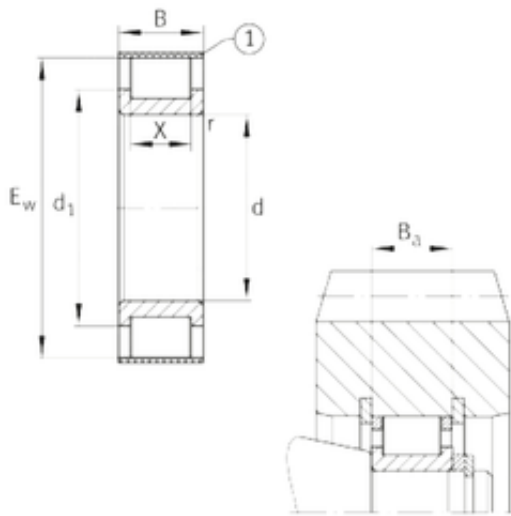




NTN Bearing Manufacturing



INA RSL182228-A cylindrical roller bearings

Bearing No. RSL182228-A

Size	140x221.92x68 mm
Bore Diameter	140 mm
Outer Diameter	221,92 mm
Width	68 mm
d	140 mm
Ew	221,92 mm
B	68 mm
Ba	62,4 mm
X	48 mm
d1	174 mm
r min.	3 mm
Weight	8,66 Kg
Basic dynamic load rating (C)	720 kN

RSL182228-A Bearing 2D drawings and 3D CAD models