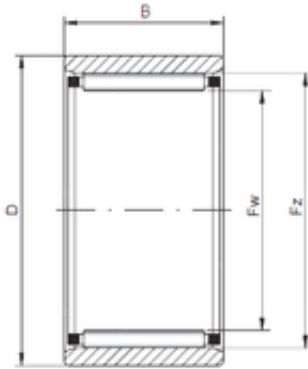




# NTN Bearing Manufacturing

22 mm x 30 mm x 13 mm ISO RNAO22x30x13  
cylindrical roller bearings



Bearing No. RNAO22x30x13

Size	22x30x13 mm
Bore Diameter	22 mm
Outer Diameter	30 mm
Width	13 mm
d	22 mm
Fw	22 mm
D	30 mm
Ew	26 mm
B	13 mm
C	13 mm

RNAO22x30x13 Bearing 2D drawings and 3D CAD models