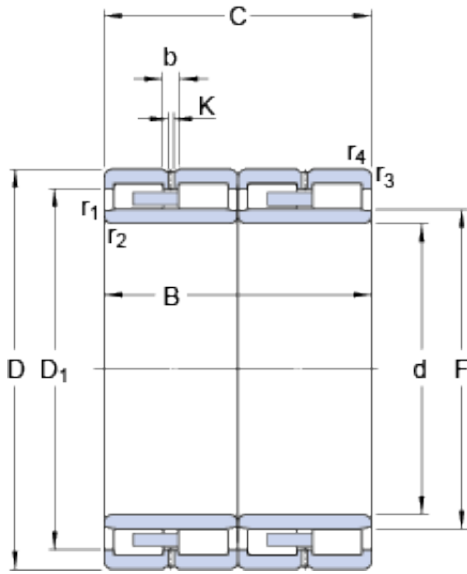




NTN Bearing Manufacturing



420 mm x 580 mm x 320 mm SKF 313555
B/VJ202 cylindrical roller bearings

Bearing No. 313555 B/VJ202

313555 B/VJ202 Bearing 2D drawings and 3D CAD models

Size	580x420x320 mm
Bore Diameter	580 mm
Outer Diameter	420 mm
Width	320 mm
d	420 mm
D	580 mm
B	320 mm
C	320 mm
D ₁	525 mm
F	463 mm
b	16.7 mm
K	9 mm
r _{1,2} - min.	4 mm
r _{3,4} - min.	4 mm
Basic dynamic load rating - C	4680 kN
Basic static load rating - C ₀	10800 kN
Fatigue load limit - P _u	950 kN
Calculation factor - k _r	430
Mass bearing	250 kg
Design variant/feature	BC4.7/W33
D ₁	530.2 mm
r _{1,2} min.	4 mm
r _{3,4} min.	4 mm
Basic dynamic load rating C	4680 kN



NTN Bearing Manufacturing

Basic static load rating C_0	10800 kN
Fatigue load limit P_u	950 kN
Calculation factor k_r	430