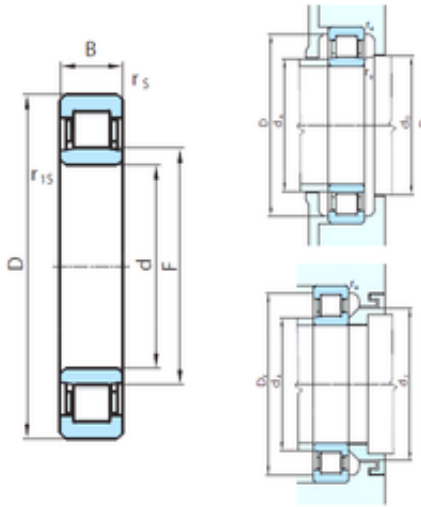




NTN Bearing Manufacturing



940 mm x 1120 mm x 65 mm PSL PSL 412-201 cylindrical roller bearings

Bearing No. PSL 412-201

Size	940x1120x65 mm
Bore Diameter	940 mm
Outer Diameter	1120 mm
Width	65 mm
d	940 mm
F	1003 mm
D	1120 mm
B	65 mm
C	65 mm
r min.	4 mm
r1 max.	4 mm
S	17 mm
Weight	126 Kg
Basic dynamic load rating (C)	945 kN
Basic static load rating (C0)	2532 kN
(Grease) Lubrication Speed	300 r/min

PSL 412-201 Bearing 2D drawings and 3D CAD models