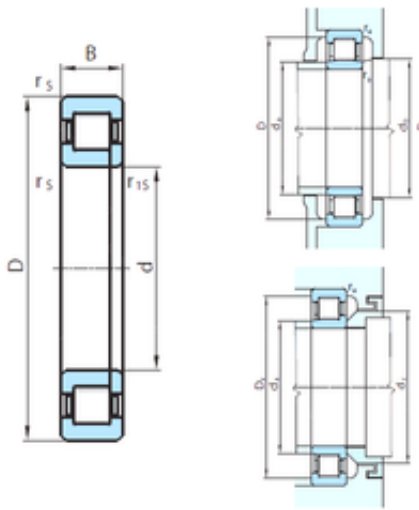




# NTN Bearing Manufacturing



950 mm x 1250 mm x 175 mm PSL NUP29/950 cylindrical roller bearings

Bearing No. NUP29/950

Size	950x1250x175 mm
Bore Diameter	950 mm
Outer Diameter	1250 mm
Width	175 mm
d	950 mm
F	1032 mm
D	1250 mm
B	175 mm
C	175 mm
dc min	1066 mm
r min.	10 mm
r1 max.	10 mm
S	17 mm
da min.	978 mm
da max	1027 mm
Da max.	1220 mm
db min	1041 mm
ra max.	5 mm
Weight	597 Kg
Basic dynamic load rating (C)	4577 kN
Basic static load rating (C0)	11452 kN
(Grease) Lubrication Speed	300 r/min

NUP29/950 Bearing 2D drawings and 3D CAD models