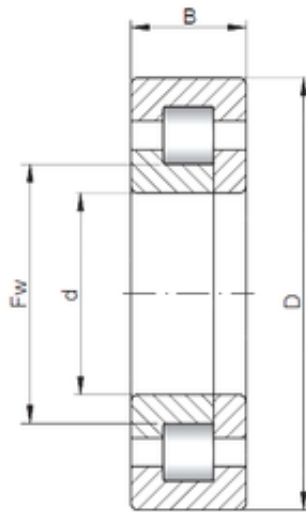




# NTN Bearing Manufacturing



100 mm x 180 mm x 34 mm ISO NUP220  
cylindrical roller bearings

Bearing No. NUP220

Size	100x180x34 mm
Bore Diameter	100 mm
Outer Diameter	180 mm
Width	34 mm
d	100 mm
D	180 mm
B	34 mm
C	34 mm

NUP220 Bearing 2D drawings and 3D CAD models