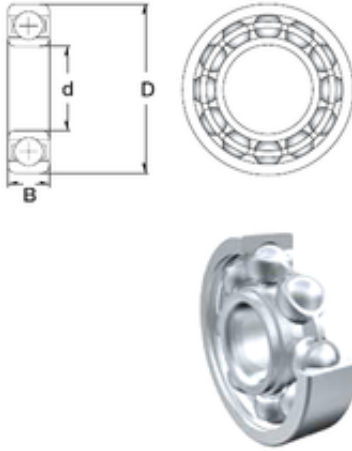




NTN Bearing Manufacturing



8 mm x 12 mm x 2,5 mm ZEN MR128 deep groove ball bearings

Bearing No. MR128

Size	8x12x2.5 mm
Bore Diameter	8 mm
Outer Diameter	12 mm
Width	2,5 mm
d	8 mm
D	12 mm
B	2,5 mm
C	2,5 mm
Basic dynamic load rating (C)	0,543 kN
Basic static load rating (C0)	0,274 kN
(Grease) Lubrication Speed	40000 r/min

MR128 Bearing 2D drawings and 3D CAD models