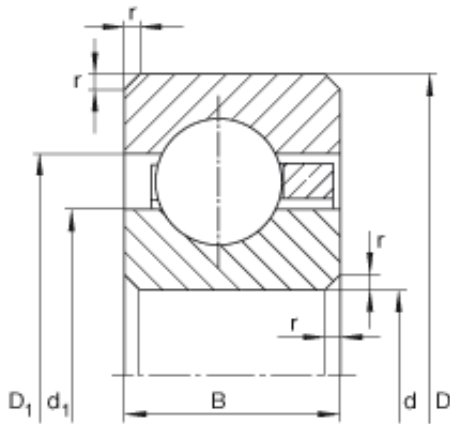




NTN Bearing Manufacturing

5 inch x 165,1 mm x 19,05 mm INA CSCF050
deep groove ball bearings

Bearing No. CSCF050



CSCF050 Bearing 2D drawings and 3D CAD models

| | |
|------------------|--|
| Size | 127x165.1x19.05 mm |
| Bore Diameter | 127 mm |
| Outer Diameter | 165,1 mm |
| Width | 19,05 mm |
| d | 127 mm |
| d | 5 inch |
| D | 165,1 mm |
| B | 19,05 mm |
| D ₁ | 151 mm |
| d ₁ | 141,1 mm |
| r _{min} | 2 mm |
| m | 1,04 kg / Weight |
| C _r | 25500 N / Dynamic load rating (radial) |
| C _{0r} | 24700 N / Static load rating (radial) |