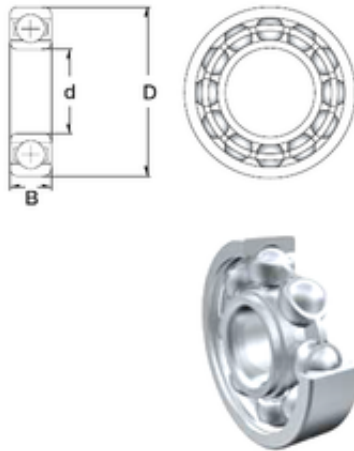




NTN Bearing Manufacturing



240 mm x 360 mm x 37 mm ZEN 16048 deep groove ball bearings

Bearing No. 16048

Size	240x360x37 mm
Bore Diameter	240 mm
Outer Diameter	360 mm
Width	37 mm
d	240 mm
D	360 mm
B	37 mm
C	37 mm
Weight	14,5 Kg
Basic dynamic load rating (C)	136 kN
Basic static load rating (C0)	159 kN

16048 Bearing 2D drawings and 3D CAD models