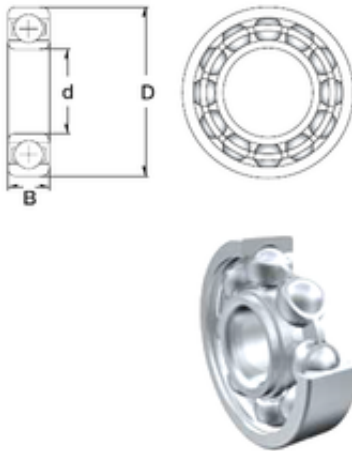




NTN Bearing Manufacturing



3,175 mm x 12,7 mm x 4,366 mm ZEN
R2A-2RS deep groove ball bearings

Bearing No. R2A-2RS

Size	3.175x12.7x4.366 mm
Bore Diameter	3,175 mm
Outer Diameter	12,7 mm
Width	4,366 mm
d	3,175 mm
D	12,7 mm
B	4,366 mm
C	4,366 mm
Basic dynamic load rating (C)	0,64 kN
Basic static load rating (C0)	0,227 kN
(Grease) Lubrication Speed	53000 r/min

R2A-2RS Bearing 2D drawings and 3D CAD models