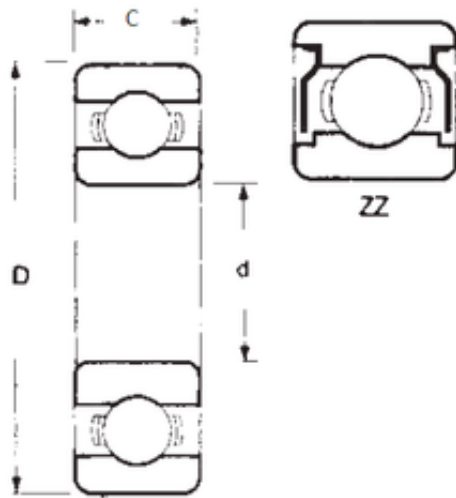




NTN Bearing Manufacturing



55 mm x 80 mm x 13 mm FBJ 6911ZZ deep groove ball bearings

Bearing No. 6911ZZ

Size	55x80x13 mm
Bore Diameter	55 mm
Outer Diameter	80 mm
Width	13 mm
d	55 mm
D	80 mm
B	13 mm
C	13 mm
Weight	0,19 Kg
Basic dynamic load rating (C)	15,9 kN
Basic static load rating (C0)	11,4 kN

6911ZZ Bearing 2D drawings and 3D CAD models