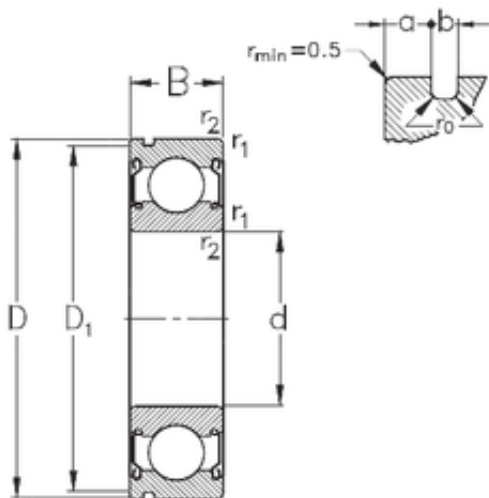




NTN Bearing Manufacturing



50 mm x 90 mm x 20 mm NKE 6210-2Z-N deep groove ball bearings

Bearing No. 6210-2Z-N

Size	50x90x20 mm
Bore Diameter	50 mm
Outer Diameter	90 mm
Width	20 mm
d	50 mm
D	90 mm
B	20 mm
C	20 mm
a	3,28 mm
b	2,7 mm
f	2,46 mm
r1 min.	1,1 mm
r2 min.	1,1 mm
D1	86,79 mm
D2	96,5 mm
Weight	0,453 Kg
Basic dynamic load rating (C)	35,1 kN
Basic static load rating (C0)	23,2 kN

6210-2Z-N Bearing 2D drawings and 3D CAD models