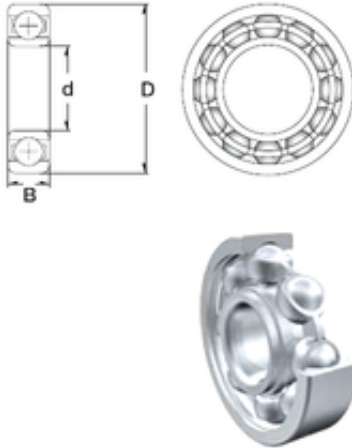




NTN Bearing Manufacturing



4,763 mm x 12,7 mm x 4,978 mm ZEN R3-2Z
deep groove ball bearings

Bearing No. R3-2Z

Size	4.763x12.7x4.978 mm
Bore Diameter	4,763 mm
Outer Diameter	12,7 mm
Width	4,978 mm
d	4,763 mm
D	12,7 mm
B	4,978 mm
C	4,978 mm
Basic dynamic load rating (C)	1,301 kN
Basic static load rating (C0)	0,488 kN
(Grease) Lubrication Speed	43000 r/min

R3-2Z Bearing 2D drawings and 3D CAD models