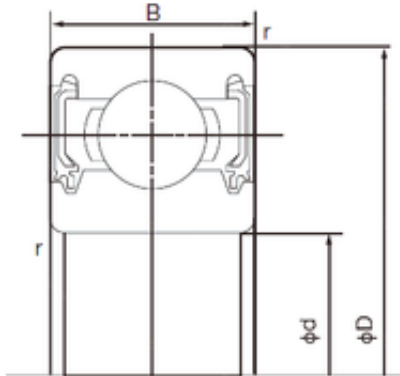




NTN Bearing Manufacturing

15 mm x 42 mm x 13 mm NACHI 6302-2NKE
deep groove ball bearings



Bearing No. 6302-2NKE

Size	15x42x13 mm
Bore Diameter	15 mm
Outer Diameter	42 mm
Width	13 mm
d	15 mm
D	42 mm
B	13 mm
C	13 mm
r min.	1 mm
da min.	21 mm
Da max.	36 mm
ra max.	1.0 mm
Weight	0.082 Kg
Basic dynamic load rating (C)	11,4 kN
Basic static load rating (C0)	5,4 kN

6302-2NKE Bearing 2D drawings and 3D CAD models