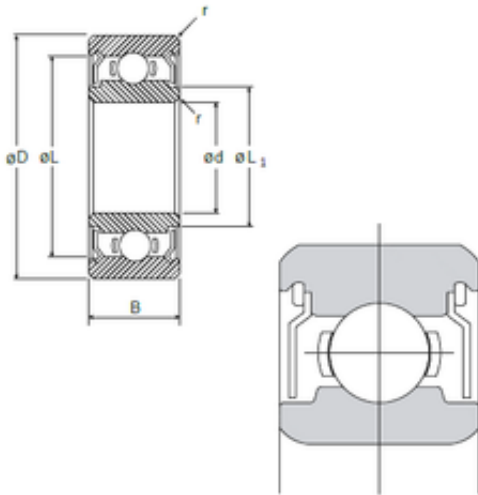




# NTN Bearing Manufacturing



8 mm x 12 mm x 3,5 mm NMB L-1280ZZ deep groove ball bearings

Bearing No. L-1280ZZ

Size	8x12x3.5 mm
Bore Diameter	8 mm
Outer Diameter	12 mm
Width	3,5 mm
d	8 mm
D	12 mm
B	3,5 mm
C	3,5 mm
r min.	0,1 mm
L	11,24 mm
L1	9,1 mm
Basic dynamic load rating (C)	0,506 kN

L-1280ZZ Bearing 2D drawings and 3D CAD models