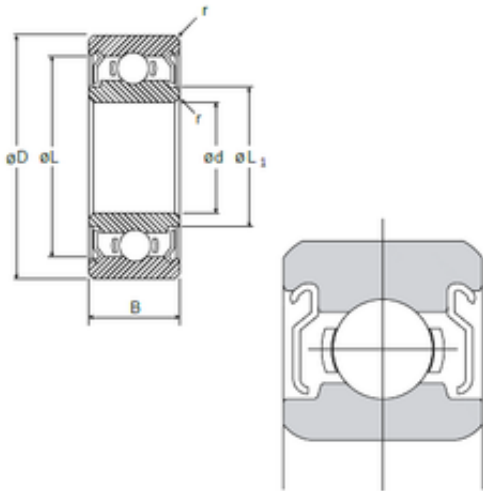




NTN Bearing Manufacturing



10 mm x 19 mm x 5 mm NMB L-1910KKY05
deep groove ball bearings

Bearing No. L-1910KKY05

Size	10x19x5 mm
Bore Diameter	10 mm
Outer Diameter	19 mm
Width	5 mm
d	10 mm
D	19 mm
B	5 mm
C	5 mm
r min.	0,3 mm
L	17,44 mm
L1	12,32 mm
Basic dynamic load rating (C)	2,123 kN

L-1910KKY05 Bearing 2D drawings and 3D CAD models