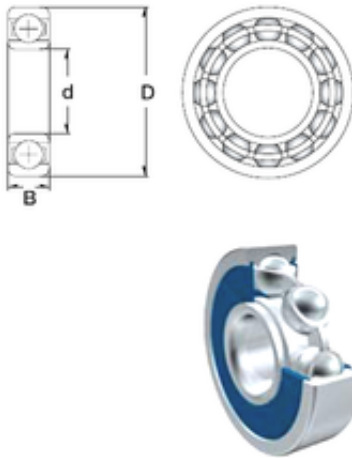




# NTN Bearing Manufacturing



20 mm x 37 mm x 9 mm ZEN S61904-2RS deep groove ball bearings

Bearing No. S61904-2RS

Size	20x37x9 mm
Bore Diameter	20 mm
Outer Diameter	37 mm
Width	9 mm
d	20 mm
D	37 mm
B	9 mm
C	9 mm
Basic dynamic load rating (C)	6,381 kN
Basic static load rating (C0)	3,682 kN
(Grease) Lubrication Speed	19000 r/min

S61904-2RS Bearing 2D drawings and 3D CAD models