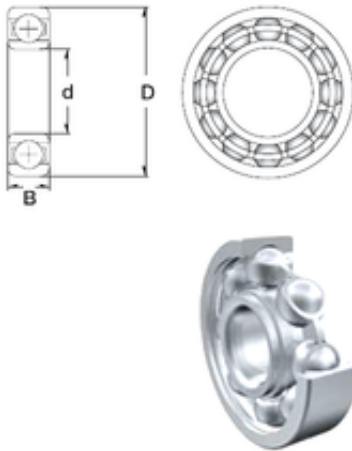




NTN Bearing Manufacturing



5 mm x 13 mm x 4 mm ZEN 695 deep groove ball bearings

Bearing No. 695

Size	5x13x4 mm
Bore Diameter	5 mm
Outer Diameter	13 mm
Width	4 mm
d	5 mm
D	13 mm
B	4 mm
C	4 mm
Basic dynamic load rating (C)	1,077 kN
Basic static load rating (C0)	0,432 kN
(Grease) Lubrication Speed	43000 r/min

695 Bearing 2D drawings and 3D CAD models