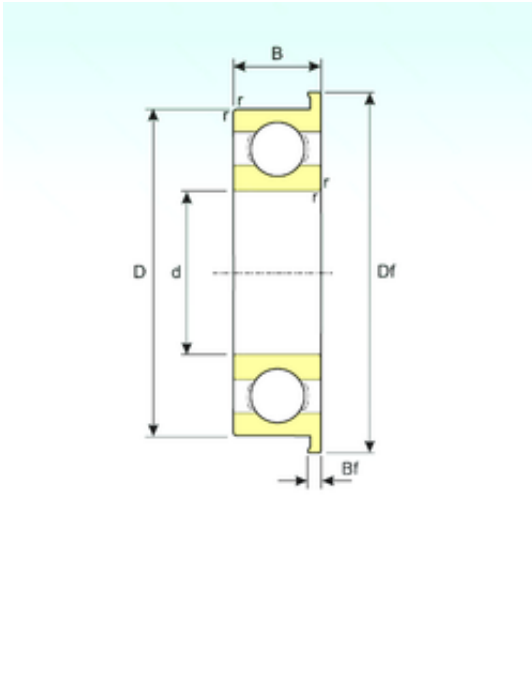




NTN Bearing Manufacturing



F601X Bearing 2D drawings and 3D CAD models

1,5 mm x 6 mm x 2,5 mm ISB F601X deep groove ball bearings

Bearing No. F601X

Size	1.5x6x2.5 mm
Bore Diameter	1,5 mm
Outer Diameter	6 mm
Width	2,5 mm
d	1,5 mm
D	6 mm
B	2,5 mm
C	2,5 mm
Bf	0,6 mm
Df	7,5 mm
r min.	0,1 mm
Basic dynamic load rating (C)	0,25 kN