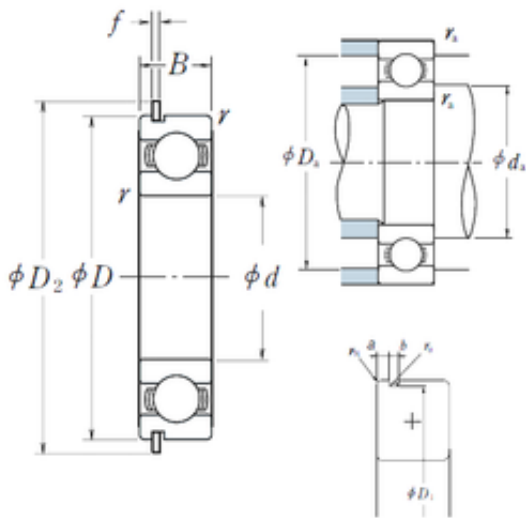




# NTN Bearing Manufacturing



45 mm x 68 mm x 12 mm NSK 6909NR deep groove ball bearings

Bearing No. 6909NR

6909NR Bearing 2D drawings and 3D CAD models

Size	45x68x12 mm
Bore Diameter	45 mm
Outer Diameter	68 mm
Width	12 mm
d	45 mm
D	68 mm
B	12 mm
C	12 mm
rn	0,5 mm
a	1,7 mm
b	0,95 mm
f	0,85 mm
r min.	0,6 mm
r0 max.	0,25 mm
D1	66,7 mm
D2	70,8 mm
da min.	49 mm
da max	50 mm
Da max.	64 mm
ra max.	0,6 mm
Weight	0,126 Kg
Basic dynamic load rating (C)	14,1 kN
Basic static load rating (C0)	10,9 kN
(Grease) Lubrication Speed	9 500 r/min
(Oil) Lubrication Speed	12 000 r/min



## NTN Bearing Manufacturing

SRI	3.49
hidYobi	6909NR
LangID	1
ro	0.25
D_	68
SREX	0.02
B_	12
da min	49
hidTable	ecat_NS RDGB
Oil rpm	12000
SRE	3.49
Cy	2.3
mass	0.126
GRS rpm	9500
ra	0.6
SRIX	0.02
D_a	64
SRIN	-0.02
C0	10.9
fo	15.9
SREN	-0.02
DE_	63.247
Prod_Type3	DGBB_SR_NR_OT
DA_	6.747
bomp	0
Z_	15
yobi	6909NR
Dx	72
C_conv	14100
ALPHA_	0
SDM_	56.5
r	0.6



## NTN Bearing Manufacturing

KBRG	6101
SBRG	19
DI_	49.753