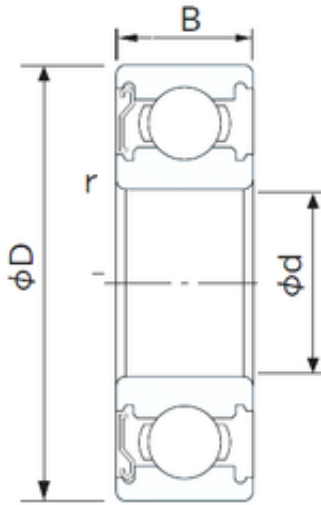




NTN Bearing Manufacturing



40 mm x 62 mm x 12 mm CYSD 6908-Z deep groove ball bearings

Bearing No. 6908-Z

| | |
|-------------------------------|-------------|
| Size | 40x62x12 mm |
| Bore Diameter | 40 mm |
| Outer Diameter | 62 mm |
| Width | 12 mm |
| d | 40 mm |
| D | 62 mm |
| B | 12 mm |
| C | 12 mm |
| r min. | 0,6 mm |
| Weight | 0,11 Kg |
| Basic dynamic load rating (C) | 12 kN |

6908-Z Bearing 2D drawings and 3D CAD models