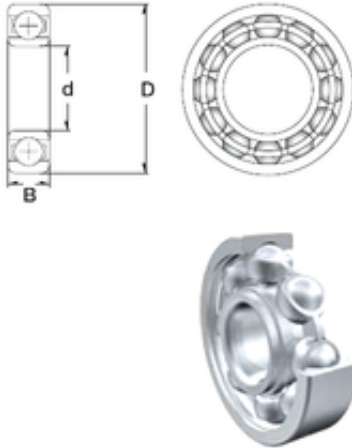




NTN Bearing Manufacturing



65 mm x 120 mm x 23 mm ZEN S6213 deep groove ball bearings

Bearing No. S6213

Size	65x120x23 mm
Bore Diameter	65 mm
Outer Diameter	120 mm
Width	23 mm
d	65 mm
D	120 mm
B	23 mm
C	23 mm
Weight	0,99 Kg
Basic dynamic load rating (C)	55,9 kN

S6213 Bearing 2D drawings and 3D CAD models