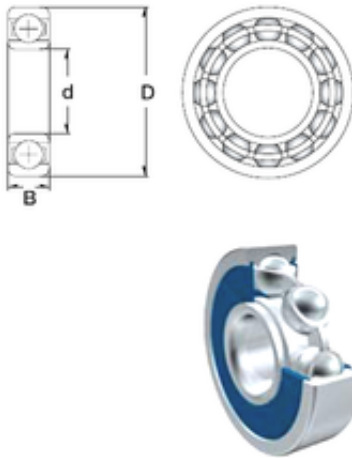




NTN Bearing Manufacturing



95 mm x 145 mm x 24 mm ZEN 6019-2RS deep groove ball bearings

Bearing No. 6019-2RS

Size	95x145x24 mm
Bore Diameter	95 mm
Outer Diameter	145 mm
Width	24 mm
d	95 mm
D	145 mm
B	24 mm
C	24 mm
Weight	1,29 Kg
Basic dynamic load rating (C)	60 kN
Basic static load rating (C0)	54 kN

6019-2RS Bearing 2D drawings and 3D CAD models