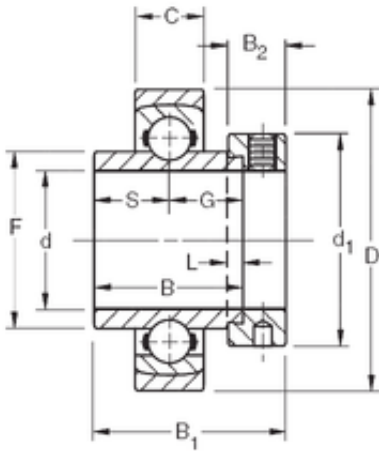




# NTN Bearing Manufacturing

74,6125 mm x 175 mm x 74,61 mm Timken  
SMN215KS deep groove ball bearings



Bearing No. SMN215KS

Size	74.6125x175x74.61 mm
Bore Diameter	74,6125 mm
Outer Diameter	175 mm
Width	74,61 mm
d	74,6125 mm
D	175 mm
B	74,61 mm
C	37 mm
d1	112,7 mm
B1	100 mm
B2	31,8 mm
F	100,38 mm
G	37,3 mm
L	6,4 mm
S	37,3 mm
Weight	6,456 Kg
Basic dynamic load rating (C)	125 kN

SMN215KS Bearing 2D drawings and 3D CAD models