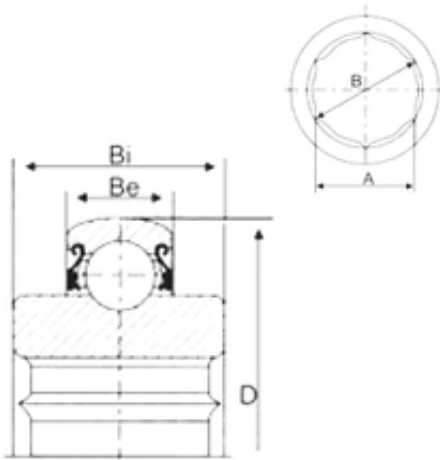




NTN Bearing Manufacturing

32,97 mm x 72 mm x 37,69 mm CYSD
207KRRB9 deep groove ball bearings



Bearing No. 207KRRB9

Size	32.97x72x37.69 mm
Bore Diameter	32,97 mm
Outer Diameter	72 mm
Width	37,69 mm
d	32,97 mm
D	72 mm
B	37,69 mm
C	17 mm
Be	17 mm
Bi	37,69 mm
A	28,6 mm

207KRRB9 Bearing 2D drawings and 3D CAD models