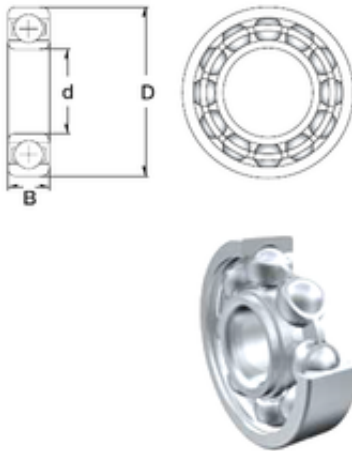




# NTN Bearing Manufacturing



65 mm x 85 mm x 10 mm ZEN S61813 deep groove ball bearings

Bearing No. S61813

Size	65x85x10 mm
Bore Diameter	65 mm
Outer Diameter	85 mm
Width	10 mm
d	65 mm
D	85 mm
B	10 mm
C	10 mm
Basic dynamic load rating (C)	11,9 kN
Basic static load rating (C0)	11,5 kN
(Grease) Lubrication Speed	7300 r/min

S61813 Bearing 2D drawings and 3D CAD models