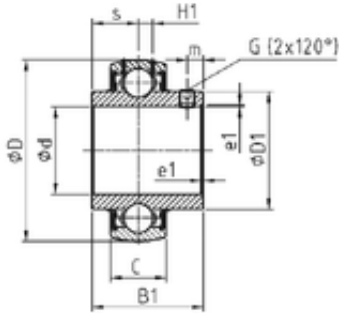




NTN Bearing Manufacturing



UC307 Bearing 2D drawings and 3D CAD models

SNR UC307 deep groove ball bearings

Bearing No. UC307

Size	35x80x25 mm
Bore Diameter	35 mm
Outer Diameter	80 mm
Width	25 mm
d	35 mm
D	80 mm
B1	48 mm
C	25 mm
e	2 mm
a	4 mm
m	8 mm
s	19 mm
D1	48,9 mm
H1	7,2 mm
Thread (G)	M8x1
Weight	0,71 Kg
Basic dynamic load rating (C)	33,5 kN