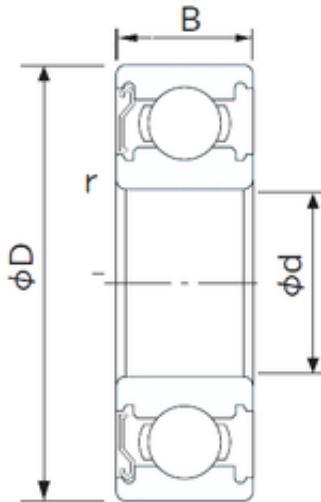




## NTN Bearing Manufacturing



45 mm x 100 mm x 25 mm CYSD 6309-Z deep groove ball bearings

Bearing No. 6309-Z

Size	45x100x25 mm
Bore Diameter	45 mm
Outer Diameter	100 mm
Width	25 mm
d	45 mm
D	100 mm
B	25 mm
C	25 mm
r min.	1,5 mm
Weight	0,83 Kg
Basic dynamic load rating (C)	52,8 kN
Basic static load rating (C0)	31,8 kN
(Grease) Lubrication Speed	6300 r/min

6309-Z Bearing 2D drawings and 3D CAD models