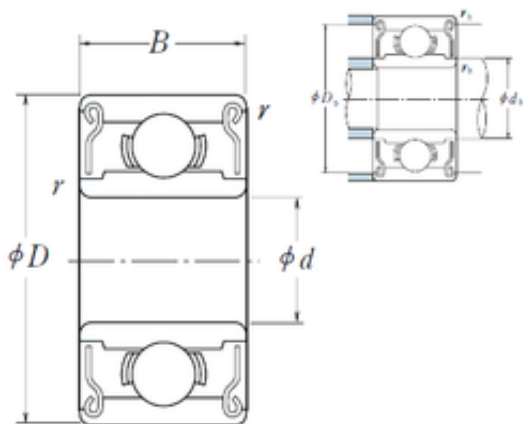




# NTN Bearing Manufacturing

2,5 mm x 6 mm x 2,6 mm NSK 682 XZZ deep groove ball bearings

Bearing No. 682 XZZ



682 XZZ Bearing 2D drawings and 3D CAD models

Size	2.5x6x2.6 mm
Bore Diameter	2,5 mm
Outer Diameter	6 mm
Width	2,6 mm
d	2,5 mm
D	6 mm
B	2,6 mm
C	2,6 mm
r min.	0,08 mm
db max.	3,7 mm
Db min.	5,4 mm
rb max.	0,08 mm
Weight	0,00029 Kg
Basic dynamic load rating (C)	0,208 kN
Basic static load rating (C0)	0,074 kN