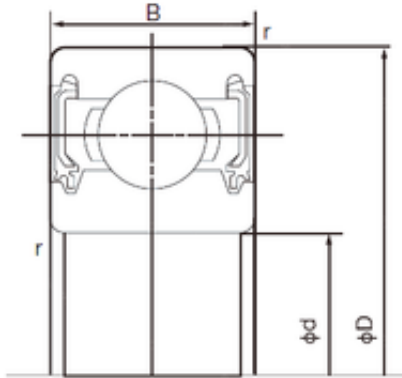




NTN Bearing Manufacturing

60 mm x 110 mm x 22 mm NACHI 6212-2NKE
deep groove ball bearings



Bearing No. 6212-2NKE

6212-2NKE Bearing 2D drawings and 3D CAD models

| | |
|-------------------------------|------------------|
| Size | 60x110x22 mm |
| Bore Diameter | 60 mm |
| Outer Diameter | 110 mm |
| Width | 22 mm |
| d | 60 mm |
| D | 110 mm |
| B | 22 mm |
| C | 22 mm |
| r min. | 1.5 mm |
| da min. | 69 mm |
| Da max. | 101 mm |
| ra max. | 1.5 mm |
| Weight | 0.783 Kg |
| Basic dynamic load rating (C) | 52,5 kN |
| Basic static load rating (C0) | 36 kN |
| Bore Type | Cylindrical Bore |
| Enclosure | Double Seal |
| Configuration | Single Row |
| Bore Size | 60 mm |
| Outside Diameter | 110 mm |
| Width | 22 mm |
| Dynamic Load Rating | 52,500 N |
| Static Load Rating | 36,000 N |
| Limiting Speed - Grease | 6,000 rpm |
| Factor fo | 14.3 |



NTN Bearing Manufacturing

| | |
|------------------|-------------------|
| Radial Clearance | 0.008 to 0.028 mm |
| da (min) | 69 mm |
| Da (max) | 101 mm |
| ra (max) | 1.5 mm |