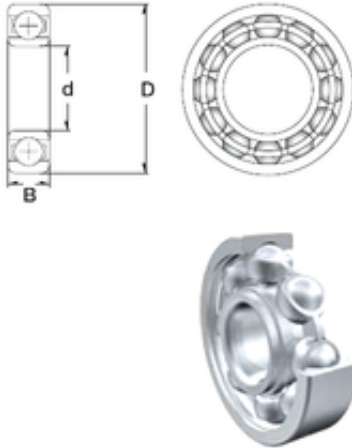




# NTN Bearing Manufacturing



850 mm x 1030 mm x 82 mm ZEN 618/850 deep groove ball bearings

Bearing No. 618/850

Size	850x1030x82 mm
Bore Diameter	850 mm
Outer Diameter	1030 mm
Width	82 mm
d	850 mm
D	1030 mm
B	82 mm
C	82 mm
Basic dynamic load rating (C)	560 kN
Basic static load rating (C0)	1290 kN
(Grease) Lubrication Speed	1200 r/min

618/850 Bearing 2D drawings and 3D CAD models