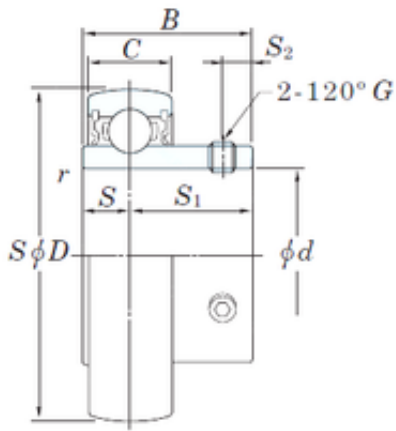




NTN Bearing Manufacturing



15 mm x 32 mm x 16,5 mm KOYO SU002S6
deep groove ball bearings

Bearing No. SU002S6

Size	15x32x16.5 mm
Bore Diameter	15 mm
Outer Diameter	32 mm
Width	16,5 mm
d	15 mm
D	32 mm
B	16,5 mm
C	9 mm
S1	11 mm
r min.	0,3 mm
S	5,5 mm
S2	3,3 mm
Thread (G)	M4 × 0,5
Weight	0,038 Kg
Basic dynamic load rating (C)	4,7 kN
Basic static load rating (C0)	2,25 kN
Material	corrosion resistant

SU002S6 Bearing 2D drawings and 3D CAD models