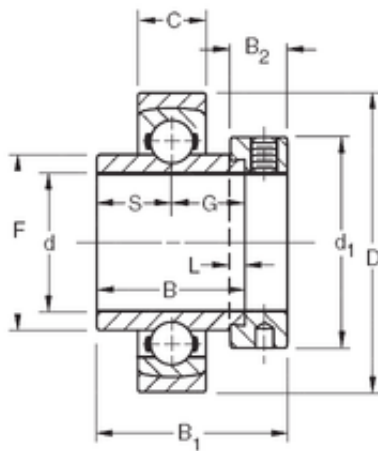




NTN Bearing Manufacturing

100,0125 mm x 200 mm x 100,01 mm Timken
SM1315WS deep groove ball bearings



Bearing No. SM1315WS

Size	100.0125x200x100.01 mm
Bore Diameter	100,0125 mm
Outer Diameter	200 mm
Width	100,01 mm
d	100,0125 mm
D	200 mm
B	100,01 mm
C	34 mm
d1	139,7 mm
B1	125,41 mm
B2	31,75 mm
F	123,85 mm
G	50 mm
L	6,4 mm
S	50 mm
Weight	8,939 Kg
Basic dynamic load rating (C)	170 kN

SM1315WS Bearing 2D drawings and 3D CAD models