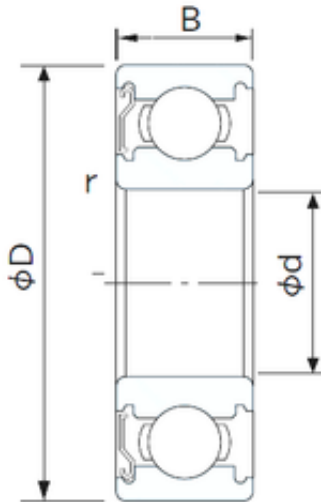




## NTN Bearing Manufacturing



40 mm x 52 mm x 7 mm NACHI 6808ZE deep groove ball bearings

Bearing No. 6808ZE

Size	40x52x7 mm
Bore Diameter	40 mm
Outer Diameter	52 mm
Width	7 mm
d	40 mm
D	52 mm
B	7 mm
C	7 mm
r min.	0.3 mm
da min.	42 mm
Da max.	50 mm
ra max.	0.3 mm
Weight	0.033 Kg
Basic dynamic load rating (C)	5,95 kN
Basic static load rating (C0)	4,9 kN
(Grease) Lubrication Speed	12000 r/min

6808ZE Bearing 2D drawings and 3D CAD models