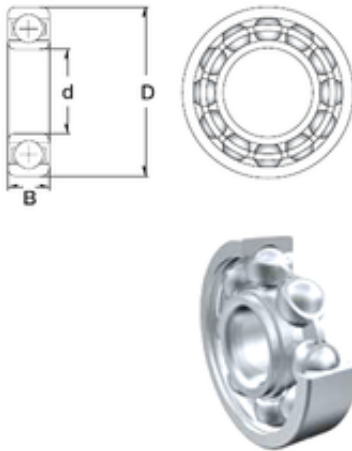




# NTN Bearing Manufacturing



5 mm x 13 mm x 5 mm ZEN 695W5 deep groove ball bearings

Bearing No. 695W5

Size	5x13x5 mm
Bore Diameter	5 mm
Outer Diameter	13 mm
Width	5 mm
d	5 mm
D	13 mm
B	5 mm
C	5 mm
Basic dynamic load rating (C)	1,077 kN
Basic static load rating (C0)	0,432 kN
(Grease) Lubrication Speed	43000 r/min

695W5 Bearing 2D drawings and 3D CAD models