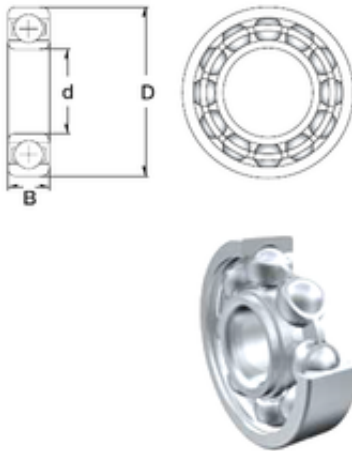




# NTN Bearing Manufacturing



105 mm x 145 mm x 20 mm ZEN S61921 deep groove ball bearings

Bearing No. S61921

Size	105x145x20 mm
Bore Diameter	105 mm
Outer Diameter	145 mm
Width	20 mm
d	105 mm
D	145 mm
B	20 mm
C	20 mm
Basic dynamic load rating (C)	44,2 kN
Basic static load rating (C0)	44 kN
(Grease) Lubrication Speed	4300 r/min

S61921 Bearing 2D drawings and 3D CAD models