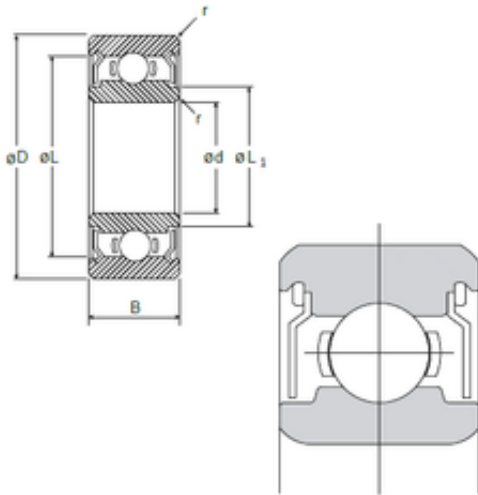




NTN Bearing Manufacturing



4 mm x 10 mm x 4 mm NMB L-1040X2ZZ deep groove ball bearings

Bearing No. L-1040X2ZZ

Size	4x10x4 mm
Bore Diameter	4 mm
Outer Diameter	10 mm
Width	4 mm
d	4 mm
D	10 mm
B	4 mm
C	4 mm
r min.	0,15 mm
L	8,5 mm
L1	5,46 mm
Basic dynamic load rating (C)	0,708 kN

L-1040X2ZZ Bearing 2D drawings and 3D CAD models