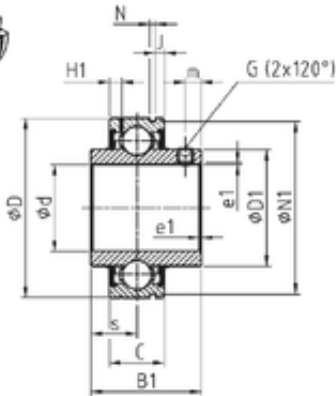




NTN Bearing Manufacturing



19,05 mm x 47 mm x 31 mm SNR CUC204-12 deep groove ball bearings

Bearing No. CUC204-12

CUC204-12 Bearing 2D drawings and 3D CAD models

Size	19.05x47x17 mm
Bore Diameter	19,05 mm
Outer Diameter	47 mm
Width	17 mm
d	19,05 mm
D	47 mm
B1	31 mm
C	17 mm
e	0,6 mm
a	3,175 mm
m	4,5 mm
s	12,7 mm
D1	29 mm
H1	4 mm
J	3,1 mm
N	1,35 mm
N1	44,6 mm
Thread (G) - 1/4-28UNF	1/428UNF
Weight	0,2 Kg
Basic dynamic load rating (C)	12,8 kN
b	1.35 mm
B	31 mm
C1	4 mm
G	1/4-28UNF
r	0.6



NTN Bearing Manufacturing

S	12.7 mm
SW	3.18 mm
C0	6.65 kN
T min.	-20 ° C
T max.	100 ° C
Recommended tightening torque for set screw	3.7 Nm